

Multipurpose - With Bottom Flange (1591 Series)

Plastic

Available in flame retardant ABS plastic OR economical polystyrene (black only)...

Flame retardant ABS version includes wear resistant brass bushings...

Flanges are factory glued to rear (also allows easy access to lid)...

Flange slots allow for easy cable tie hanging...

Flame retardant ABS version includes machine screws (polystyrene are self-tapping)...

OTHER KEY FEATURES

- Electronic instrument enclosures, designed for mounting printed circuit boards.
- Integral card guides accept 1.5 mm (0.062") P.C. cards.
- Lap joint construction provides protection against access of dust and splashing water.
- Designed to meet IP54
- Designed for applications where the enclosure needs to be easily wall or shelf mounted.
- No "gate" (circle) marks on bottom of enclosure
- Available in either flame retardant black ABS plastic (material carries a UL flammability rating of 94V-0) or economical black polystyrene.
- Flame retardant ABS version's lid is secured with black M3 x 10 mm Philips machine screws, threaded into integral brass bushings.
- Polystyrene version's lid is secured with black self-tapping #4 x 0.5" Philips screws.

ACCESSORIES



P.C. Board Card Adaptors

Allows horizontal mounting of P.C. board(s). See "Accessories Section" for full details!

- 1591Z6** - Package of 6
- 1591Z50** - Package of 50
- 1591Z100** - Package of 100



Clear Lids

Stocked in prototype quantities - made of clear flame retardant polycarbonate. Lid ONLY.

- 1591LC** - use with 1591L & M
- 1591AC** - use with 1591A
- 1591BC** - use with 1591B
- 1591CC** - use with 1591C
- 1591DC** - use with 1591D
- 1591EC** - use with 1591E
- 1591GC** - use with 1591G
- 1591HC** - use with 1591H
- 1591SC** - use with 1591S
- 1591TC** - use with 1591T
- 1591UC** - use with 1591U
- 1591VC** - use with 1591V



Replacement Screws

Machine screws, black, M3 - 0.5 x 10mm (used in the ABS version).

- 1591MS100BK** - Package of 100



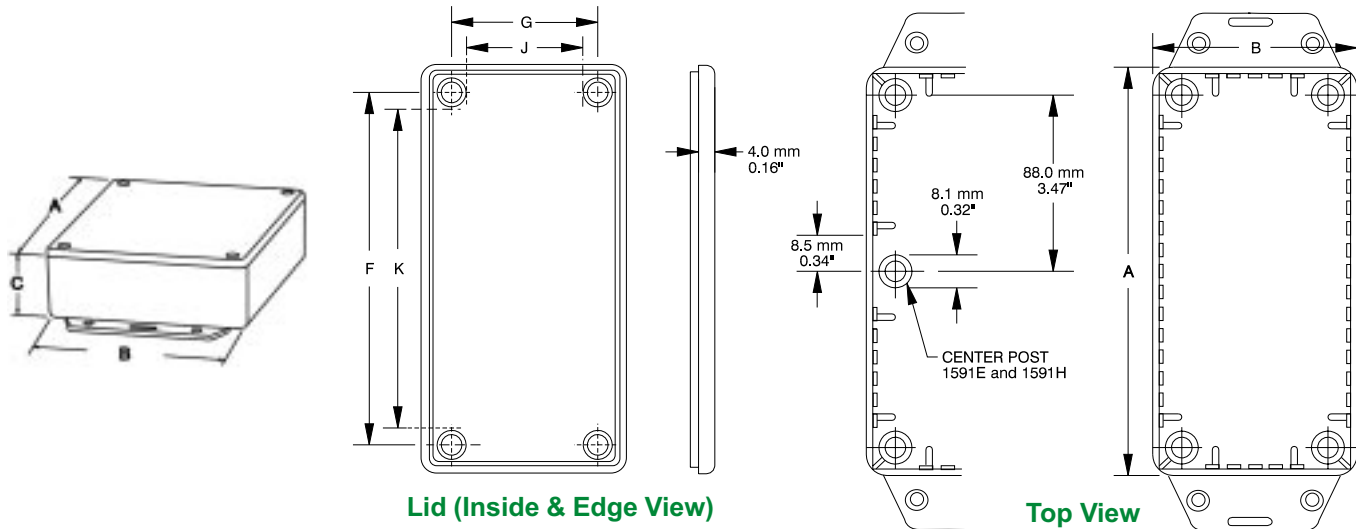
Replacement Screws

Self-tapping type, black oxide, #4 x 0.5" (used in the polystyrene version).

- 1591TS100BK** - Package of 100

Multipurpose - With Bottom Flange (1591 Series)

Plastic



Lid (Inside & Edge View)

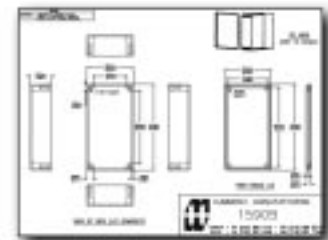
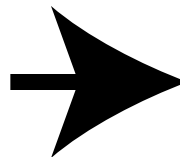
Top View

Part Number		Units	Dimensions					P.C. Card Clearance	
Black ABS with flange	Black Styrene with flange		A	B	C (No Lid)	F	G	J	K
1591MFBK	1591MFSBK	inch mm	3.3 85	2.2 56	0.8 21	2.8 71	1.7 42	1.3 34	2.5 63
1591LFBK	1591LFSBK	inch mm	3.3 85	2.2 56	1.4 35	2.9 73	1.7 44	1.4 35	2.5 64
1591AFBK	1591AFSBK	inch mm	3.9 100	2.0 50	0.8 21	3.4 86	1.4 36	1.1 29	3.1 79
1591SFBK	1591SFSBK	inch mm	4.3 110	3.2 82	1.6 40	3.8 98	2.7 70	2.4 61	3.5 89
1591BFBK	1591BFSBK	inch mm	4.4 112	2.4 62	1.1 27	3.9 98	1.9 48	1.6 41	3.5 91
1591CFBK	1591CFSBK	inch mm	4.7 120	2.6 65	1.4 36	4.2 106	2.0 51	1.7 44	3.9 99
1591TFBK	1591TFSBK	inch mm	4.7 120	3.2 80	2.2 55	4.2 106	2.6 66	2.3 59	3.9 99
1591UFBK	1591UFSBK	inch mm	4.7 120	4.7 120	2.2 55	4.2 106	4.2 106	3.9 99	3.9 99
1591VFBK	1591VFSBK	inch mm	4.7 120	4.7 120	3.5 90	4.2 106	4.2 106	3.9 99	3.9 99
1591GFBK	1591GFSBK	inch mm	4.8 121	3.7 94	1.2 30	4.2 106	3.1 79	2.8 73	3.9 100
1591DFBK	1591DFSBK	inch mm	5.9 150	3.2 80	1.8 46	5.4 136	2.6 66	2.3 59	5.0 129
1591HFBK	1591HFSBK	inch mm	6.5 165	2.8 71	1.0 25	6.0 153	2.2 56	1.9 50	5.6 144
1591EFBK	1591EFSBK	inch mm	7.5 191	4.3 110	2.2 57	6.9 176	3.8 96	3.5 89	6.6 170

NOTES: - Assembled height = dimension "C" + 0.16" (4.0 mm)
 - Average wall thickness: Flame retardant ABS=0.06" (1.5 mm), Polystyrene = 0.08" (2.0 mm)

For detailed drawings, CAD files or color photos visit our website at:

www.hammondmg.com



CANADA
 Guelph, Ontario (519) 822-2960
 St. Laurent, Quebec (514) 343-9010
USA
 Cheektowaga, NY (716) 651-0086

www.hammondmg.com

EUROPE
 Basingstoke, UK +44 1256 812812

AUSTRALASIA
 Queenstown, SA, Australia +61 8 8240 2244